

# Cover Lift Assembly for Covermate III

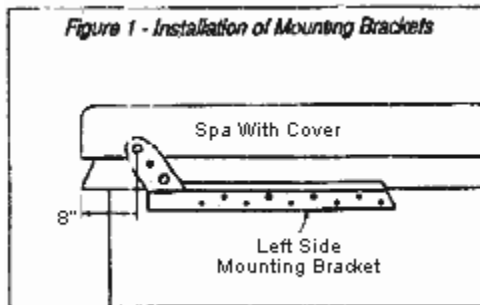
## Installation Instructions

### \_\_\_\_\_ Step #1 \_\_\_\_\_

Position the spa cover (in closed position) on the spa, making sure that all four corners are properly positioned and square on the spa.

### \_\_\_\_\_ Step #2 \_\_\_\_\_

Using the 10x1" screws, attach the left and right mounting brackets to the appropriate sides of the spa. (See Figure 1)

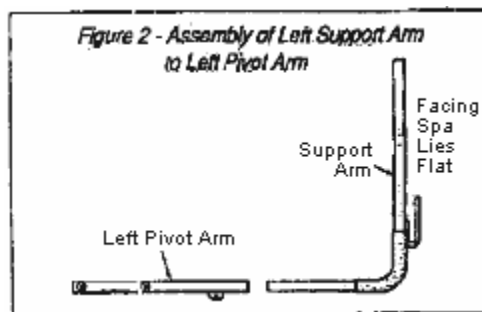


**NOTE:** Brackets can be mounted directly to the top rail of the spa or to the side wall of the spa.

**CAUTION:** To prevent splitting of wood cabinet, pre-drill holes with a 1/16" drill bit.

### \_\_\_\_\_ Step #3 \_\_\_\_\_

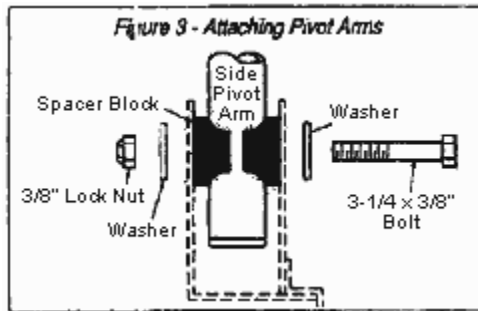
Starting with the left side first insert the short end of the left cover support arm into the left pivot arm. (See Figure 2 to determine left support arm and left pivot arm.)



Next lay the long end of the cover support arm on the top of the cover laying parallel to the spa cover hinge about 1/2" away. Insert the U-shaped retainer clip in between the two cover halves with the horizontal part touching the underside of the cover hinge.

#### Step #4

Connect the left pivot arm to the left mounting bracket. (See Figure 3)



Be sure to run the bolt head as pictured. Lightly tighten the nut and bolt combination so that the pivot arm moves freely.

*NOTE:* Do not insert self-tapping screws at this time.

#### Step #5

With the left support arm lying on the cover, slide the straight coupler piece over the long end of the left cover support arm.

*Note:*

#### Step #6

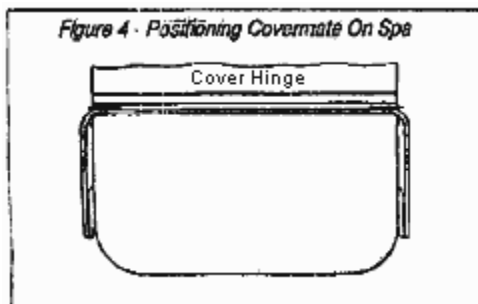
Repeat step Three for the right side cover support arm and pivot arm and insert the long end of the cover support arm into the coupler piece.

#### Step #7

Please attach right side pivot arm to the right side pivot arm to the right side mounting bracket.

#### Step #8

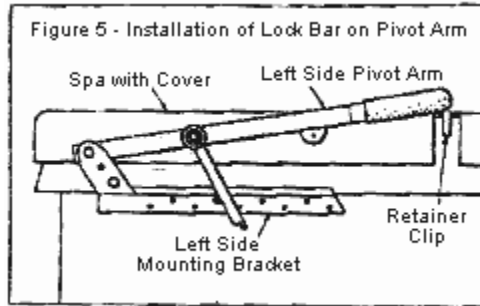
Adjust the coupler piece and support arms so that the coupler piece is lying parallel to the spa covers hinge about  $\frac{1}{2}$ " away, and centered. Be sure that the retainer clips are in their proper position. Using the #10 self-tapping screws fasten support arms to pivot arms and the center coupler piece to the support arm. (See Figure 4)



**NOTE:** Be sure to rotate the coupler piece so that the inserted screws are at the horizontal angle with the heads facing the back of the spa.

## Step #9

Using the 3/8" bolt washers and lock nut attach the wind lock bar to the inside of the left pivot arm. (See Figure 5)



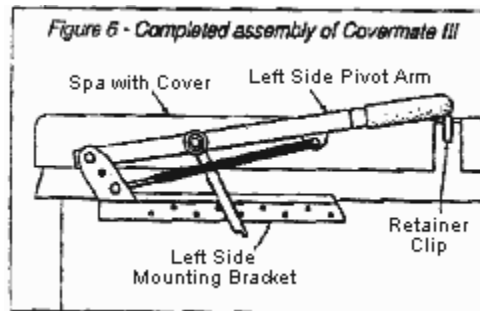
Be sure to run the bolt head the same direction as the pivot arm bolt head.

*NOTE:* Fully tighten the locknut on the wind lock bar and then loosen it so that the wind lock bar swings freely when in use.

## Step #10

Using the Covermate, lift the cover off the spa and place in the upright position. Snap the gas shocks on to the ball studs.

*NOTE:* Be sure to install gas shocks with the black body on top. (See Figure 6 for completed look.)



## Step #11

Slip the black hand grips to the edge of the spa cover and snap the black plastic screw head cover on and finally you are done and can enjoy your spa.

### Operation of the Covermate III

- 1) Fold the first half of the cover off the spa. Gripping the rubber grip, motion the spa cover into it's vertical upright position.
- 2) When closing spa cover, unlock wind lock bar by lifting up on the bar and pulling Covermate down.