

Sundance® Spas 680 Ramona™

Specifications

<p>Dimensions:.....89" x 89" x 36" (226 cm x 226 cm x 91.44 cm)</p> <p>Perimeter.....356" (904.2 cm)</p> <p>Seating Capacity:.....5-6 Adults</p> <p>Dry Weight:.....791 lbs (359 kg)</p> <p>Filled Weight (Spa Volume):.....5,044 lbs (2,288 kg)</p> <p>Filled Weight (Average Fill):.....3,960 lbs (1,796 kg)</p> <p>Water Capacity (Spa Volume):.....510 US Gal (1,931 Liters)</p> <p>Water Capacity (Average Fill):.....380 US Gal (1,438 Liters)</p> <p>Controls:.....Solid-State Electronic Controls with LCD Readout, Programmable Water Temperature, Filtration, and Heat Cycles</p> <p>Water Delivery:.....2 High Flow Pumps</p> <p>Pump 1:.....North America (60 Hz): 2-Speed/2.5 HP Continuous, 11.0A Max., 56 Frame Export (50 Hz): 2-Speed/2.0 HP continuous, 8.0A max.</p> <p>Pump 2:.....North America (60 Hz): 1-Speed/2.5 HP Continuous, 10.0A Max., 56 Frame Export (50 Hz): 1-Speed/2.0 HP continuous, 8.0A max.</p> <p>Optional Pump 3:.....N/A</p> <p>Total Hydrojets:.....38</p> <p>Seat A Jets:.....4 - SL3R, 2 - SL5R</p> <p>Seat B Jets:.....2 - SL3R</p> <p>Seat C Jets:.....8 - SL, 8 - SL3</p> <p>Seat D Jets:.....1 - SL5</p> <p>Seat E Jets:.....2 - SL, 8 - SLR, 1 - SL3</p> <p>Foot Well Jets (F):.....2 - SL3</p> <p>Air Controls/Massage Selectors:...2/None</p> <p>Filter:.....75 ft² MicroClean® Mini™ Filter Cartridge System</p> <p>Water Treatment:.....Factory installed CLEARRAY® unit</p> <p>Lighting:.....LED Lighting System (Interior Surround); 2 Standard Exterior Lights</p> <p>Cabinet:.....Available in Slate, Graphite</p> <p>Shell Colors:.....North America: Platinum, Celestite, Monaco, Midnight, Porcelain Export (50 Hz): All North America Colors</p> <p>Headrest:.....Three, 1-Piece Gray</p> <p>Heater:.....North America (60 Hz): 5.5 kW, High Flow Standard Export (50 Hz): 2.7 kW, High Flow Standard</p> <p>Electrical Requirements:.....North America (60 Hz): 240 VAC, 60 Hz@40A, 50A or 60A; Export (50 Hz): 230-240 VAC@1x16A, 1x32A or 2 out of 3-phase (see manual); or Suitably Rated Circuit Breaker to Comply with Local Electrical Regulations. Certain Countries May Require 2 Power Inputs; Two GFCI/ RCD Breakers are Required for This Configuration.</p> <p>Limited Warranty*:.....North America (60 Hz): 5 Years Shell, 3 Years Shell Surface, 3 Years Equipment and Controls, 3 Years Plumbing Component Leaks, 1 Year Cabinet, 1 Year Jets Export (50 Hz): 5 Years Shell, 3 Years Shell Surface, 3 Years Plumbing Component Leaks, 3 Years Equipment and Controls, 1 Year Cabinet, 1 Year Jets</p> <p>Alternative Insulation (Standard):..Yes (Insulation Panels)</p> <p>Waterfall Feature:.....None</p> <p>Audio System (Optional):.....N/A</p> <p>Special Features (Optional):.....Factory Installed SmartTub® module</p>	
--	---

*(See Warranty Document for Specific Details)

Dimensions/Specifications Subject To Change Without Notice

Sundance Spas 680 Ramona

Operation/Seat Depths



(A) Air Control - Activates Seat A Jets (4 - SL3R, 2 - SL5R) + Seat B Jets (2 - SL3R) + Seat E Jets (2 - SL, 8 - SLR, 1 - SL3) + Footwell Jets (2 - SL3)

(B) Air Control - Activates Seat C Jets (8 - SL, 8 - SL3) + Seat D Jets (1 - SL5)

- Jets Pump 1: Powers Seat A Jets + Seat B Jets + Seat E Jets + Footwell Jets when running

- Jets Pump 2: Powers Seat C Jets + Seat D Jets when running

38 Total Jets



SL Jets (10)



SLR Jets (8)



SL3 Jets (11)



SL3R Jets (6)



SL5 Jet (1)



SL5R Jets (2)

Spa Operation Subject To Change Without Notice

SEAT DEPTHS

A = 27.00" (66.58 cm)

B = 23.00" (58.42 cm)

C = 25.25" (64.14 cm)

D = 22.50" (57.15 cm)

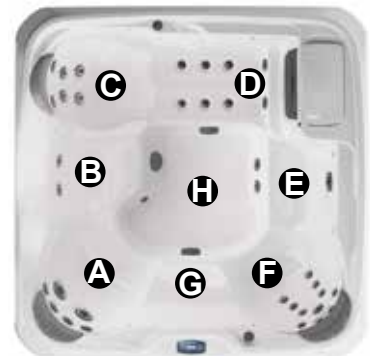
E = 23.00" (58.42 cm)

F = 27.00" (68.58 cm)

G = 20.00" (50.80 cm)

H = 30.00" (76.20 cm)

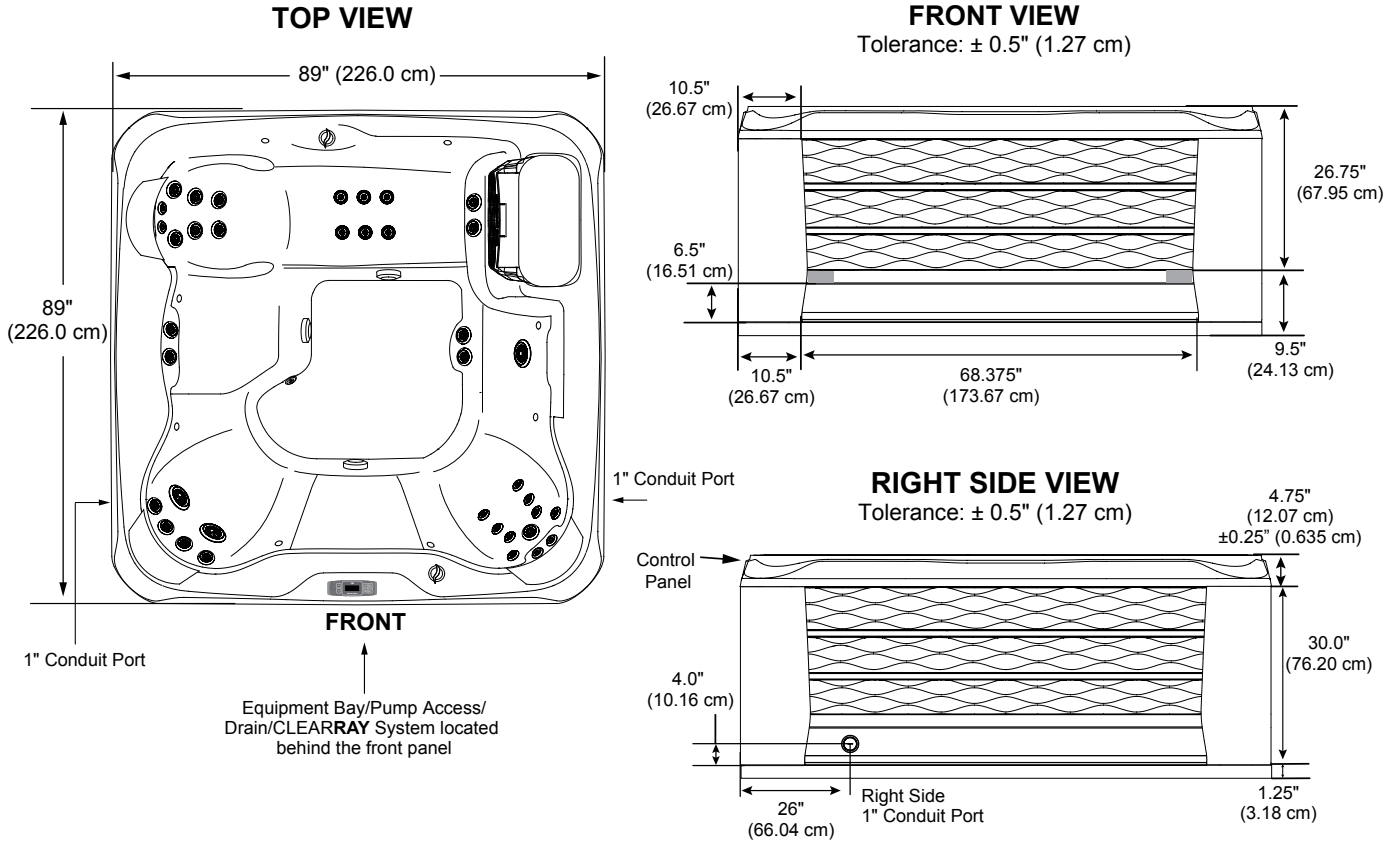
Listed dimensions represent distance from top of acrylic to lowest point in seat. **Tolerance ± 0.5" (1.27 cm).**



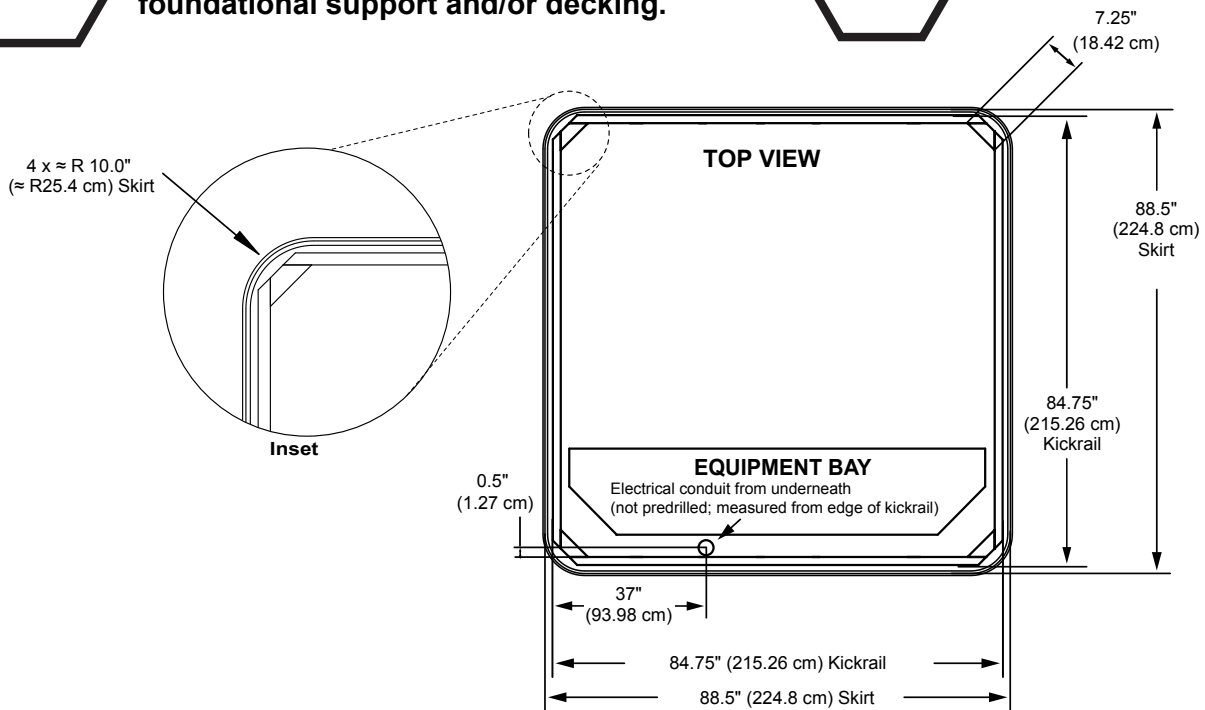
Dimensions/Specifications Subject To Change Without Notice

Sundance Spas 680 Ramona

Portable Dimensions



IMPORTANT! Always measure each hot tub for exact dimensions **BEFORE** designing its foundational support and/or decking.



Dimensions/specifications subject to change without notice. Tolerance: $\pm 0.5"$ (1.27 cm)

Dimensions/Specifications Subject To Change Without Notice